

Projector Motorized Lift Manual

(Caelos 100, 200, 300 & 300X)

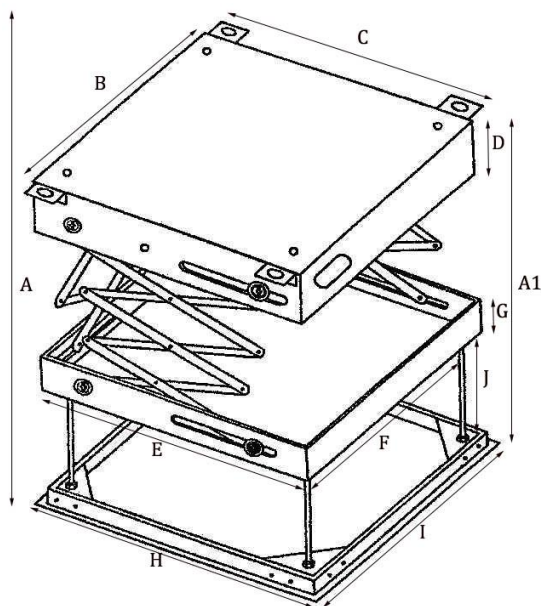
Specifications

Model: Caelos 100, 200, 300

Technical data	Caelos 100	Caelos 200	Caelos 300
Max Running Distance	430-1000mm	490-2000mm	550-3000mm
Net Weight	17Kg	18Kg	19Kg
Load Capacity	15KG		
Running Speed	53mm/sec		
Operate Method	Manual or Remote Control		
Power consumption	130W		
Voltage	220V/110V, 50/60HZ		

Model: Caelos 300X

Technical data	Caelos 300X
Max Running Distance	750-3000mm
Net Weight	34Kg
Load Capacity	38KG
Running Speed	53mm/sec
Operate Method	Manual or Remote Control
Power consumption	260W
Voltage	220V/110V, 50/60HZ



Model	Lift Measurement										
	CM	CM	CM	CM	CM	CM	CM	CM	CM	CM	CM
	A(max.)	A1(min.)	B	C	D	E	F	G	H	I	J
Caelos 100	100	43	45	40	7.5	40	40	5	45	45	30
Caelos 200	200	49	45	40	7.5	40	40	5	45	45	30
Caelos 300	300	55	45	40	7.5	40	40	5	45	45	30
Caelos 300X	300	75	47	43	7.5	43	42	5	60	60	50

Annex list

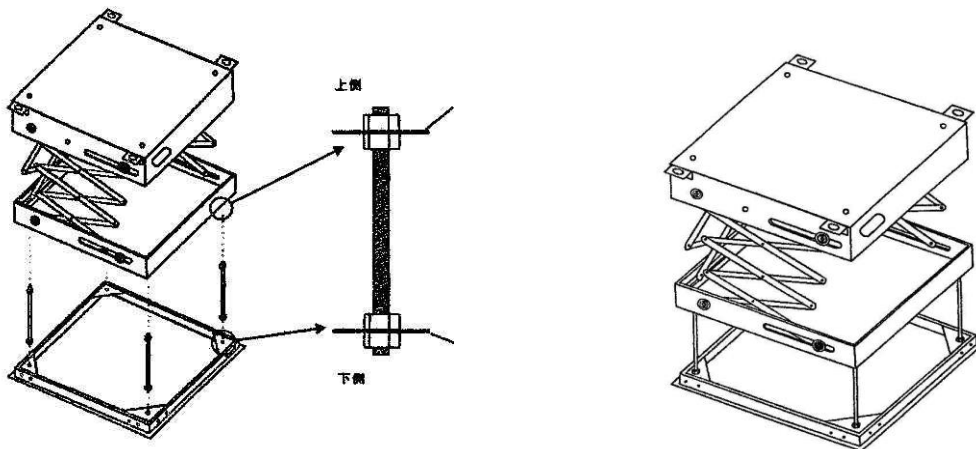
1. Remote control transmitter x1PC
2. Remote control receiver x1PC
3. Projector bracket x 1set
4. Screw set: 1bag
5. Long Screw: 4PCS
6. Regulator driver: 1PC
7. Down holding bolt: 4PCS

Warnings

Prepare the necessary tools for installation.
This lift must be installed by two or more people.
Check whether the products are damaged, annex are completed
Read this manual carefully before installation and operation.
Make sure the voltage is suitable for products.
Check the installation place is strong enough to bear the products.
Ensure there is enough space to make products run well.
Only professionals are allowed to do the installation and maintenance.

Preparation before installation

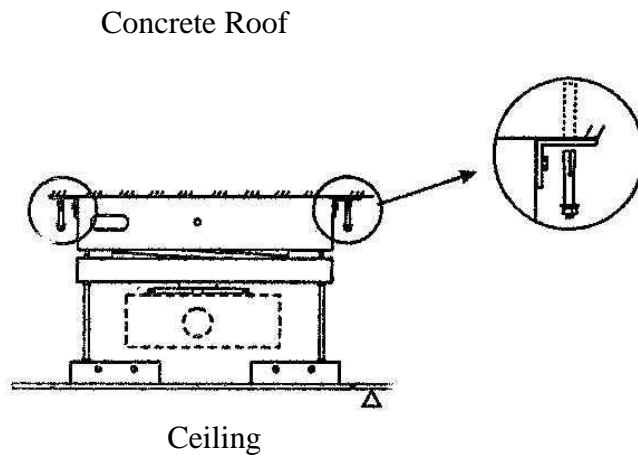
1. According to the installation environment (projector lift, fixed bracket, height of projector, thick of ceiling) to choose a right model of a projector lift.
2. Assemble the lift before installation as per drawing:



3. Check and ensure the projector motorized lift run well (if there is remote control, please check it) before installation.

Installation of the lift

1. Prepare AC power supply of 110V/220V/240V ready
2. Use 4pcs M8 down holding bolt to fix the lift firm to the concrete roof of the building.



3. Open the ceiling 3CM larger each side than size of this projector lift's chassis.
4. Connect the lift with AC power supply
5. Adjust the motor to make the highest and lowest position of the lift fit the height of the ceiling and the ideal working position of the lift
Method: Through the Red hole, turning the regulator clockwise to increased uplink, counterclockwise to reduce the uplink. Through the white hole, tuning clockwise to increase downlink, counterclockwise to reduce the downlink.
6. Assemble projector brackets and the projector as is shown:

